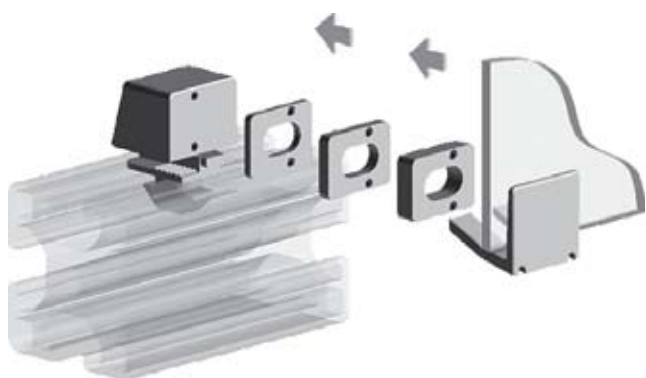




Clip Blocks:



General Information:

Function: To attach panels to aluminium profiles without screws or tools.

Features:

1. No screws or tools required.

Item Description:

Clip Block 14 - S8

Item Number:

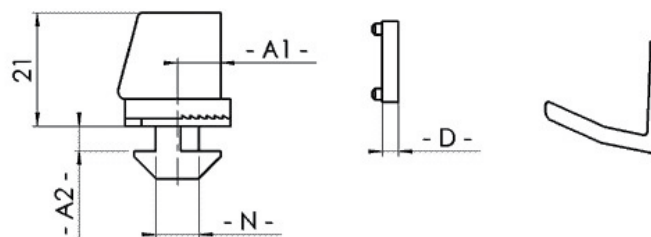
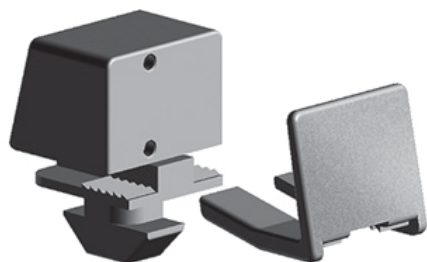
CLIP12N8

8

Clip Block 14 - S10

CLIP14N10

10

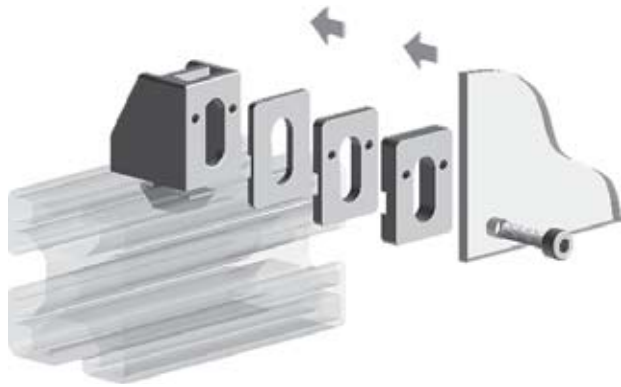


Technical Information:

Item Description	Nut Size	Slot -N- (mm)	Weight (g)	Colour	Material
Clip Block 14 - S8	-	8.0	7.7	Black	Fibreglass reinforced nylon
Clip Block 14 - S10		10.0			



Uniblocks:



General Information:

Function: To join panels and aluminium profiles of various dimensions.

Item Description:

Uniblock 18 - S8

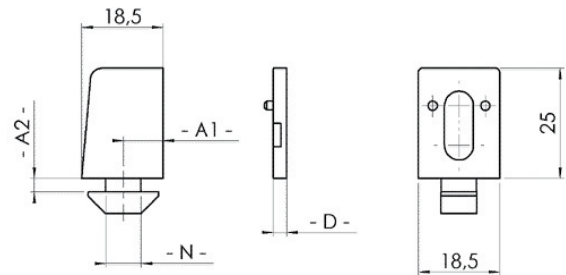
Item Number:

UNI18N8M6



Uniblock 18 - S10

UNI18N10M6



Item Description:

Uniblock 25 - S8

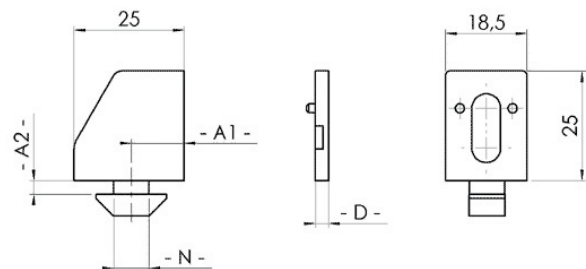
Item Number:

UNI25N8M6



Uniblock 25 - S10

UNI25N10M6



Technical Information:

Item Description	Nut Size	Slot -N- (mm)	Weight (g)	Colour	Material
Uniblock 18 - S8	M6	8.0	11.0	Black	Fibreglass reinforced nylon
Uniblock 18 - S10		10.0			
Uniblock 25 - S8		8.0			
Uniblock 25 - S10		10.0			



Eye Bolts (EYB):



General Information:

Item Description:

EYB M8

Item Number:

1.26.0025.0

M12

EYB M12

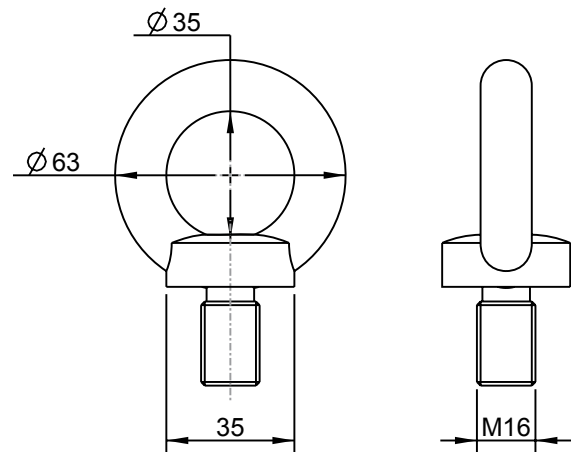
1.26.0026.0

M12

EYB M16

1.26.0027.0

M12



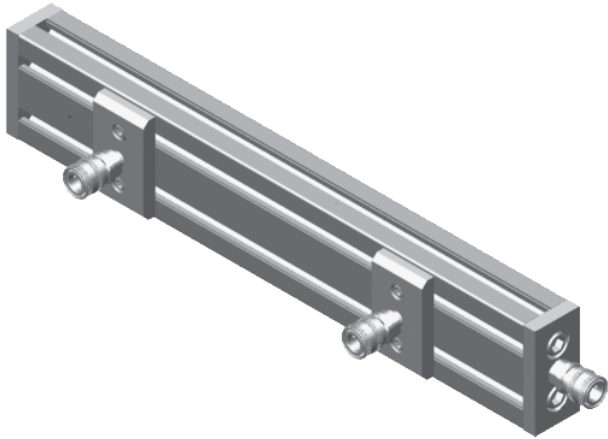
Technical Information:

Item Description	Dim -A- (mm)	Dim -B- (mm)	Dim -C- (mm)	Dim -D- (mm)	Dim -E- (mm)	Colour	Material
EYB M8	M8	34.0	46.0	25.0	9.0	Silver	Steel
EYB M12	M12	29.0	55.0	31.0	10.0		
EYB M16	M16	34.0	63.0	35.0	14.0		



Pneumatic Connection Plates (PCP):

General Information:



Function:

Note:

1. 'Complete Pneumatic Manifolds' can be made to order. Simply specify the overall length, number of outlets and type of end plates required.

Item Description:

Item Number:

PCP - 1/8 BSP

1.25.0113.0

P45x90

PCP - 1/4 BSP

1.25.0114.0

P45x90

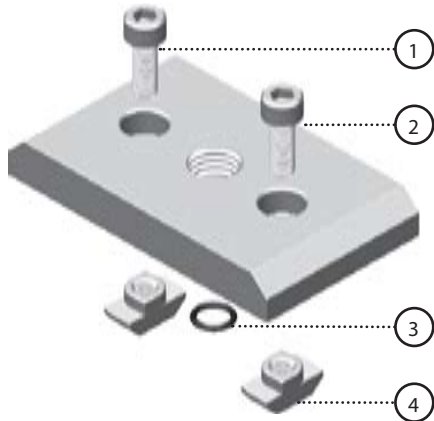
PCP - 1/2 BSP

1.25.0115.0

P45x90

Set Includes:

- 1 - M8 x 16 SHCS x 2
- 2 - Connection Plate x 1
- 3 - O-Ring x 1
- 4 - M8-S10T-Nut x 2



Technical Information:

Item Description	Dim -A- (Inch)	Weight (g)	Colour	Finish	Material
PCP - 1/8 BSP	1/8	-	Grey	Anodised	Aluminium
PCP - 1/4 BSP	1/4	-			
PCP - 1/2 BSP	1/2	-			



Pneumatic End Plates (PEP):



General Information:

Function:

Note:

1. 'Complete Pneumatic Manifolds' can be made to order. Simply specify the overall length, number of outlets and type of end plates required.

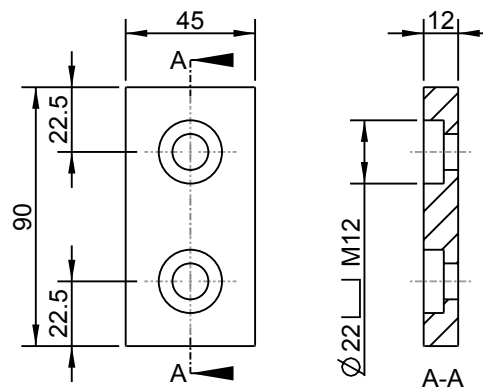
Item Description:

PEP 45 x 90 Blank

Item Number:

1.25.0110.0

P45x45



M12

S3.60

Item Description:

PEP 45 x 90 - 1/8 BSP

Item Number:

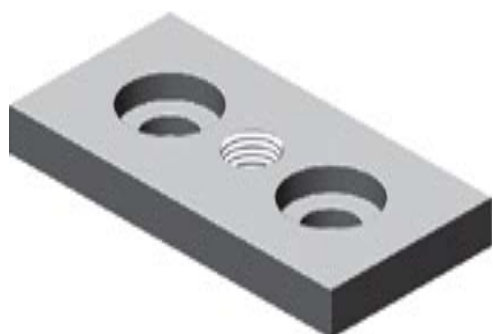
1.25.0111.0

P45x45

PEP 45 x 90 - 1/4 BSP

1.25.0112.0

P45x45



Technical Information:

Item Description	Dim -A- (Inch)	Weight (g)	Colour	Finish	Material
PEP 45x90 Blank	-	-	Grey	Plain	Aluminium
PEP 45x90 - 1/8 BSP	1/8	-			
PEP 45x90 - 1/4 BSP	1/4	-			



Cloth Holder (CLH):



General Information:

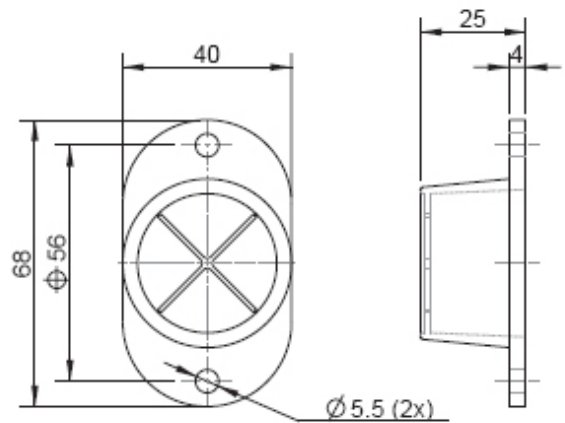
Function: Used to hold cloth for easy access.

Item Description:

CLH

Item Number:

1.25.0131.0



Technical Information:

Item Description	Weight (g)	Colour	Finish	Material
CLH	37.0	Black	Plain	-



Cup Holder (CH):



General Information:

Function: Used to hold tools such as drills, oil cans and other appliances such as cups, drink bottles and thermo bags.

Item Description:

CH - Black, Closed

CH - Red, Closed

CH - Black, Open

Item Number:

C09308901

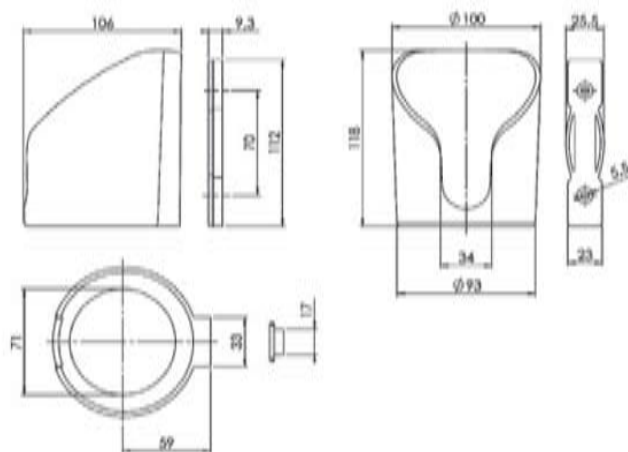
C09308901S01

C09308902

10

10

10

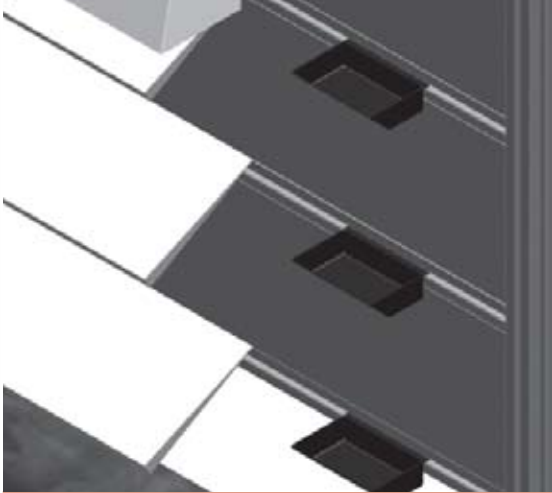


Technical Information:

Item Description	Weight (g)	Colour	Finish	Material
CH - Black, Closed	145.6	Black	Plain	Fibreglass reinforced nylon
CH - Red, Closed	145.6	Red		
CH - Black, Open	157.0	Black		



Tray (TR):



General Information:

Function: Workshop container.

Features:

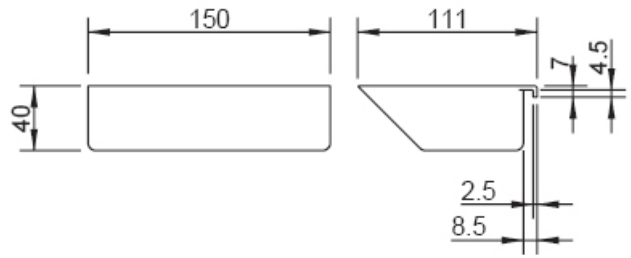
- 1. Hooks onto any profile with a 10mm slot.

Item Description:

TR

Item Number:

1.25.0133.0



Technical Information:

Item Description	Weight (g)	Colour	Finish	Material
TR	-	Black	Plain	Reinforced polyamide



Document Holder (DH):



General Information:

Function: Used to hold A4 and A3 documents.

Features:

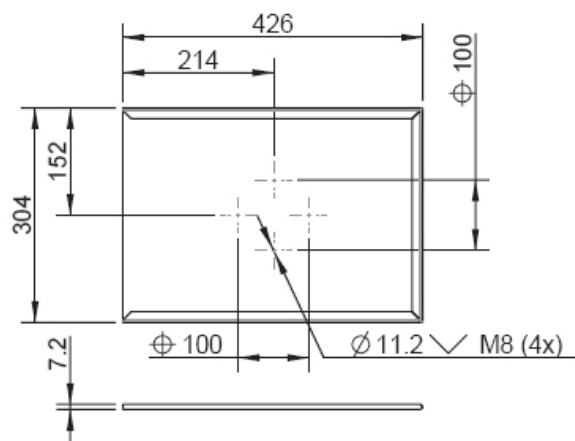
1. Two sets of mounting holes; one set for vertical mounting, the other for horizontal mounting.

Item Description:

DH - A3

Item Number:

1.25.0130.0



Technical Information:

Item Description	Paper Size	Weight (g)	Colour	Finish	Material
DH - A3	A4 - A3	-	Grey	Powder coated	Steel



Cable Clamps (CCL) & Binding Blocks (BBL):

General Information:



Function: Used to secure large quantities of cables and hoses.

Features:

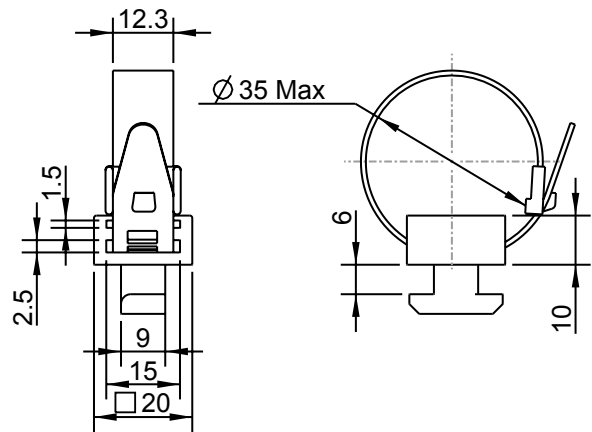
1. Easily opened for insertion of cables or hoses.
2. Can be mounted into the profile slot by a quarter turn.

Item Description:

Item Number:

CCL - S10

1.25.0100.0



Item Description:

Item Number:

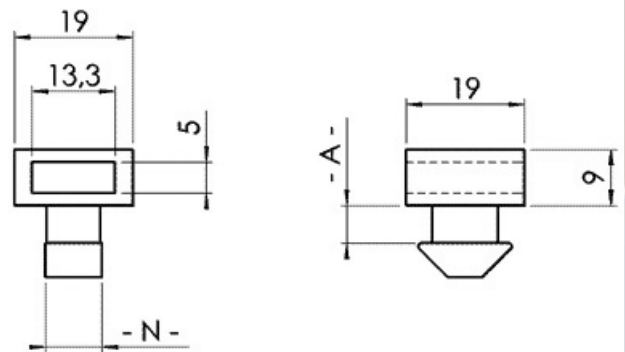
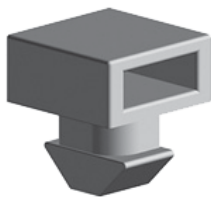
CBL - S8

CABLEBINDN08



CBL - S10

CABLEBINDN10



Technical Information:

Item Description	Slot -N- (mm)	Weight (g)	Colour	Finish	Material
CCL - S10	10.0	-	Black	Plain	PA-GF
CBL - S8	8.0	3.5			Fibreglass reinforced nylon
CBL - S10	10.0	4.0			Fibreglass reinforced nylon



Installation Ring (IR):



General Information:

Function: Used to secure large quantities of cables and hoses.

Features:

1. Easily opened for insertion of cables or hoses.
2. Can be mounted into the profile slot by a quarter turn.

Item Description:

IR 15 S

IR 25 S

IR 35 S

IR 45 S

Item Number:

1.25.0105.0

1.25.0106.0

1.25.0107.0

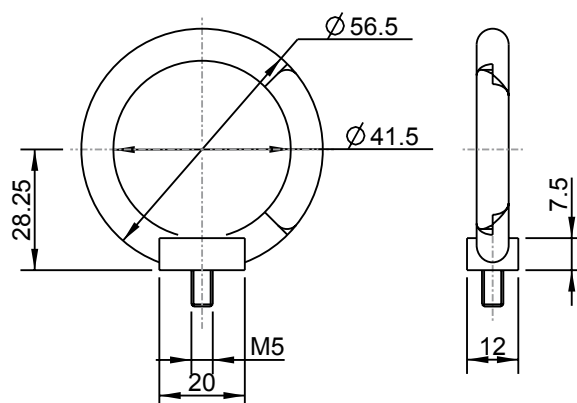
1.25.0108.0

8

10

10

P60x60



Technical Information:

Item Description	Dim -D- (mm)	Dim -S- (mm)	Weight (g)	Colour	Finish	Material
IR 15 S	28.5	6.0	5.0	Black	Plain	PA-GF
IR 25 S	36.5		6.0			
IR 35 S	47.5	7.5	8.0			
IR 45 S	56.5		9.0			